

# auto electrical parts

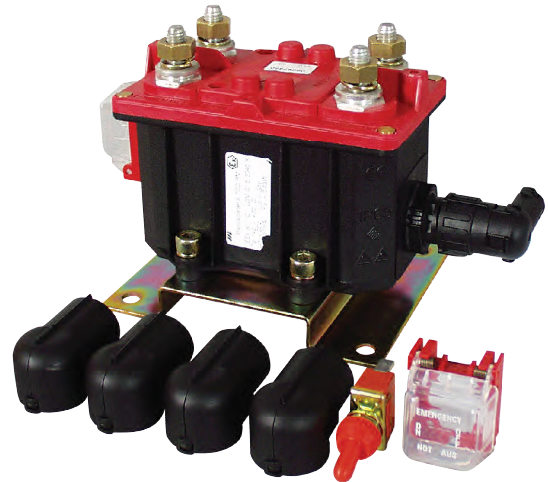
## Technical Information Sheet

### Part No. 0-605-46

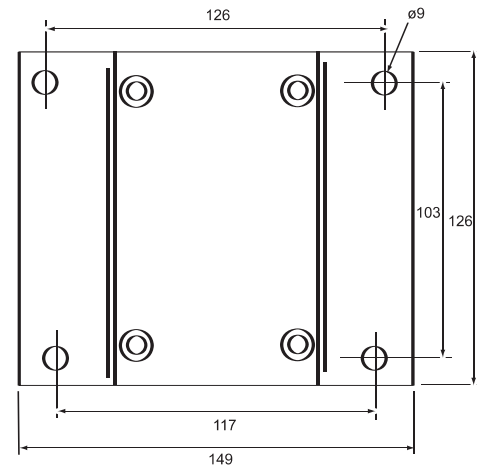
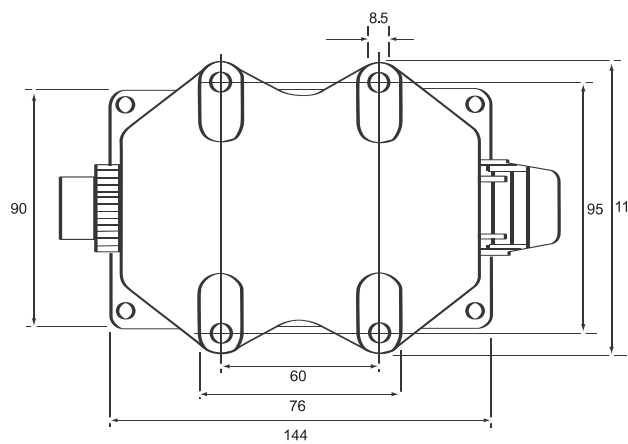
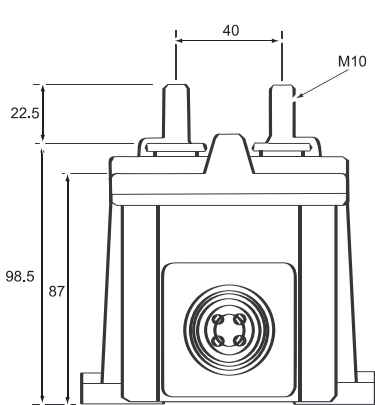
Battery isolator, 24 volt, double pole, integral mechanical switch and remote electrical switch with 3 second emergency cut-off delay. Additional remote chassis switches can be used with this unit. Rated 250 amps continuous and 2,500 amps for 5 seconds. Meets ADR1999 regulations and complies with the requirements of Institute of Petroleum. Protected to IP65. Replaces SSB100, SSB101, SSB102.

Battery isolator supplied with:

- Connector, 10NW tubing outlet.
- 4 x stud terminal covers, max cable size 70mm<sup>2</sup>, 22NW tubing outlet.
- Drivers cab toggle switch with protective cover.
- Base plate to allow direct replacement of SSB range.



### Technical Drawing (not to scale)



### Specification

Type	Battery isolator switch, double pole
Application	24 volt
Maximum continuous	250 A
Maximum intermittent	2500 A (5 sec)
Isolator switching current	4.7 A
Auxillary contact current (max)	2 A
Emergency cut-off delay	3 sec
Terminal contacts	Silver plated copper
Connecting studs	Tin-plated brass, M10
Connecting nuts	Brass
Tightening torque M10 nuts	20Nm
Protection	IP65
Operating temperature	-40°C to + 70°C
Dimensions (base plate)	l 149 x w 128 x h 21mm
Weight	2Kg
Conformity	CE 95/54

The information contained in this document is correct to the best of our knowledge at the time of printing. However, specifications may change at any time without notice.